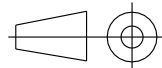
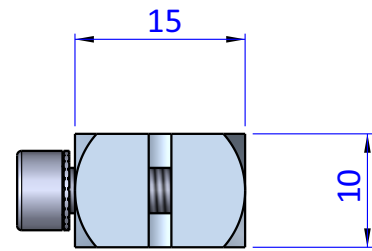
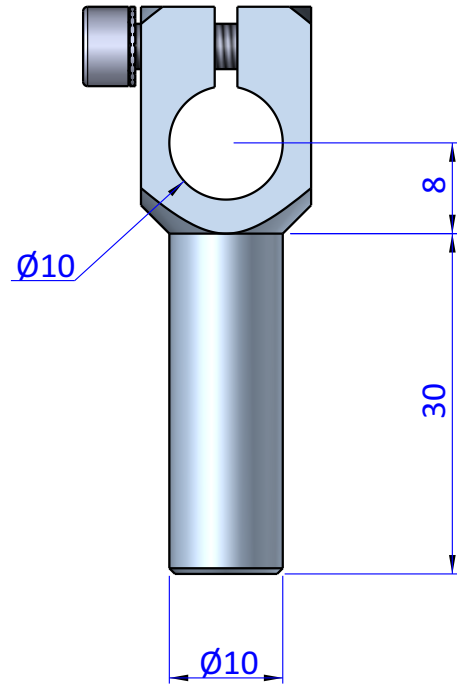
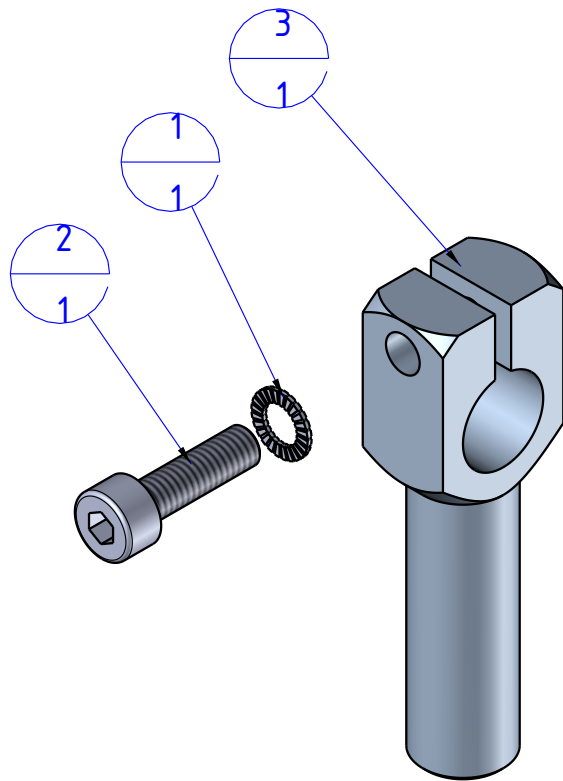


THE PROPERTY OF THE DRAWING IS ESTABLISHED BY LAW. IT IS FORBIDDEN TO PRODUCE OR SHOW IT TO THIRD PART. WITHOUT A WRITTEN AGREEMENT.

Item	Name	Q.ty
1	R.4.SCH	1
2	V.TCE4x14	1
3	WKA.10.10.30	1



DESIGNED FROM FPS Automation		REVIEW A
DATE 21/09/2020	WEIGHT 0,012kg	
CODE CA.WKA.10.10.30		

Format **A4**

UNI 936-76

GENERAL TOLERANCE

UNI - ISO 2768

CLASSE f

DESCRIPTION

CA.WKA.10.10.30